



FREE UK DELIVERY



SITE SURVEYS



10 YEAR GUARANTEE

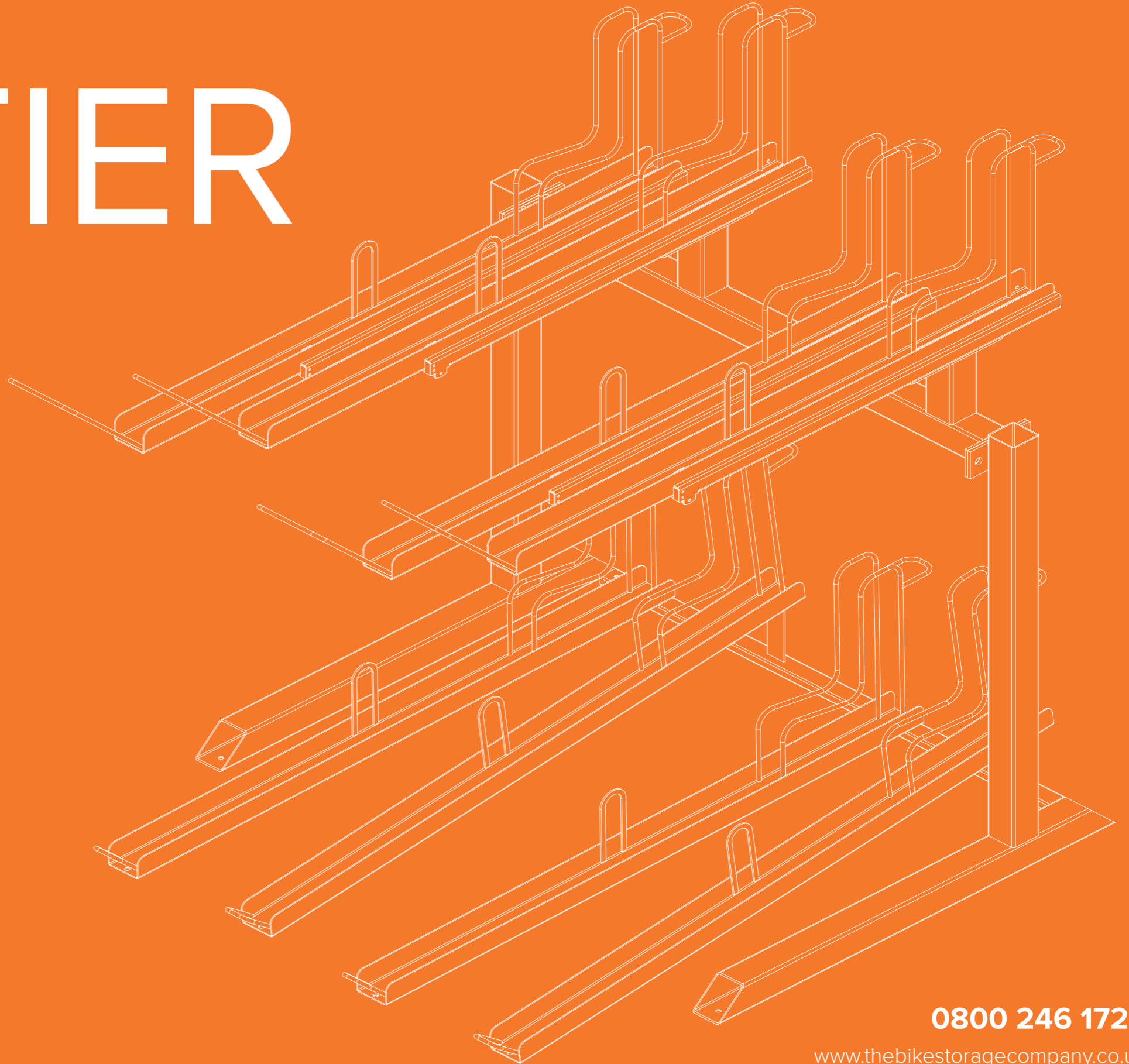


INSTALLATION SERVICE



MADE IN BRITAIN

# TWO TIER CYCLE RACK



THE  
**BIKE STORAGE**  
COMPANY

**0800 246 1723**

[www.thebikestoragecompany.co.uk](http://www.thebikestoragecompany.co.uk)

[hello@thebikestoragecompany.co.uk](mailto:hello@thebikestoragecompany.co.uk)

306 Harbour Yard, London, SW10 0XD



# TWO TIER CYCLE RACK



## Hot Dipped Galvanised Handles

Hot Dipped Galvanised handles to BS EN ISO 1461:2022 for optimal durability. If you're looking to create a more personalised bike storage zone we can provide Framework Powder Coating to any RAL colour.

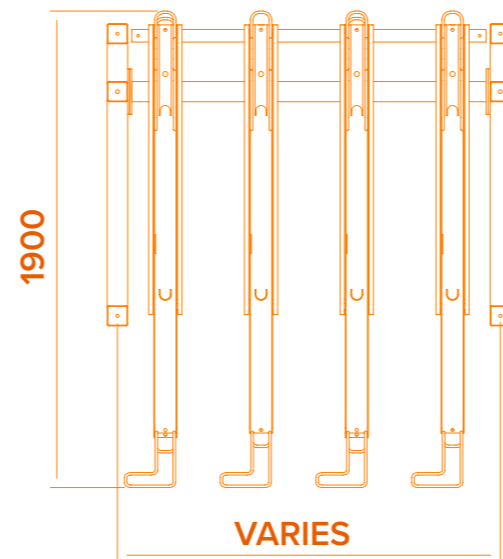


## EasyGrip Handles

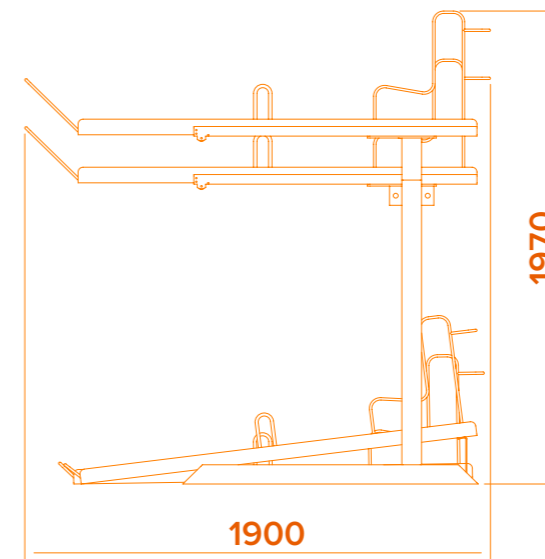
Access to the second tier of the rack is aided by the EasyGrip handles, lightweight steel and gas-assisted mechanisms that take the weight of the bike during the mounting and unmounting process.



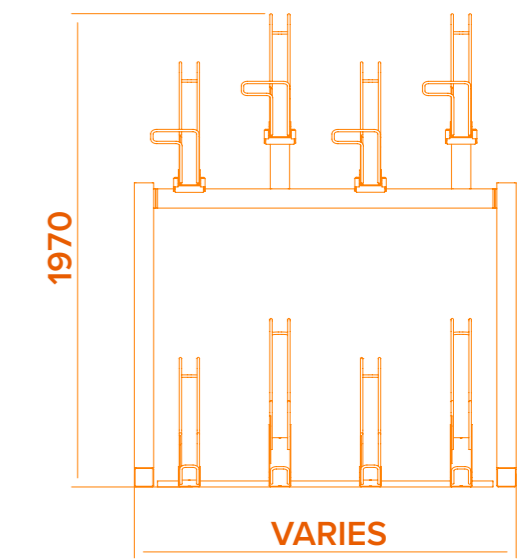
## TOP



## SIDE



## FRONT



The Two-Tier Bike Rack offers excellent space-saving opportunities while providing your cyclists with a user-friendly experience. Delivering superb value, the Two Tier Bike Rack has become the rack of choice for any area requiring high-density bike storage, including stations, universities, shopping centres, car parks, and offices. The rack's channels can support any bike with a maximum tyre width of 65mm; the ability to lock both the wheels and the frame to the rack also enables you to guarantee high-security parking and BREEAM Compliant.

## FEATURES

- Free Delivery
- UK Manufactured
- Counterbalance lifting mechanism
- Minimum height required is 2500mm
- Single or back-to-back versions are available
- Hot Dipped Galvanised to BS EN ISO 1461:2011
- Complete site visit and layout design provided free of charge
- Code for Sustainable Homes compliant and BREEAM Compliant
- Allows for both the wheels and the frame to be locked to the rack
- Manufactured against your dimensions and room layout at no extra cost
- 375mm spacing between racks and a staggered height design allows for space utilisation and ease of access

## OPTIONAL EXTRA

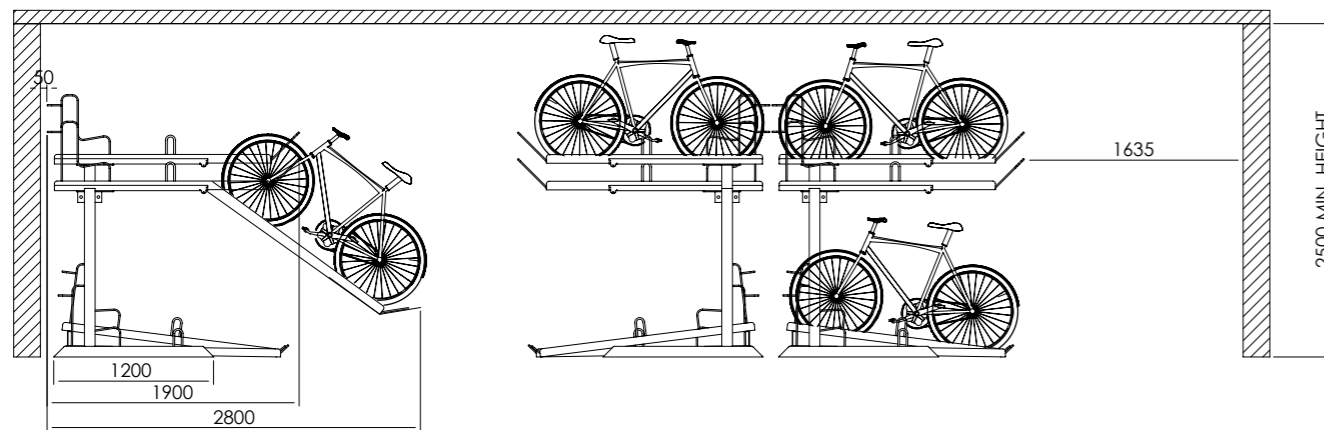
- EasyGrip red handle
- Gas assisted upper level
- Powder coating (excluding inner channel)
- Intergrated back-to-back channel arrangement
- Lower level channels (rack is provided as standard with Sheffield Stands for lower level)



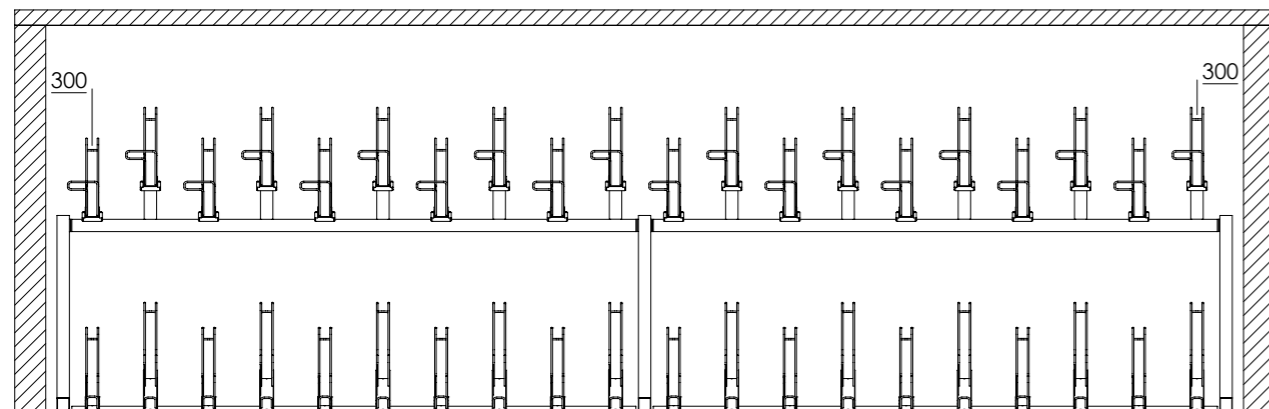
## INSTALL REQUIREMENTS

- Rack to wall aisle width: 1635mm
- Rack to rack aisle width: 1635mm
- Minimum ceiling height: 2500mm
- Centre of rack leg to wall tolerance: 300mm

## SPACING REQUIREMENTS

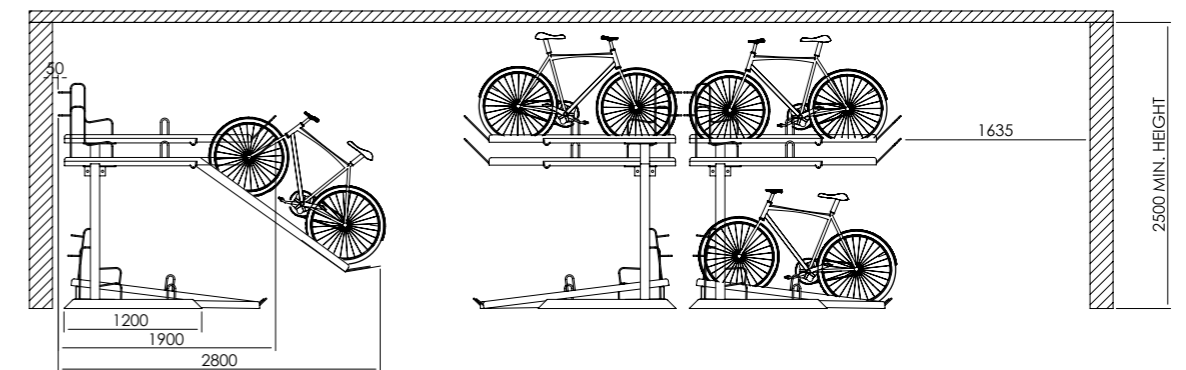
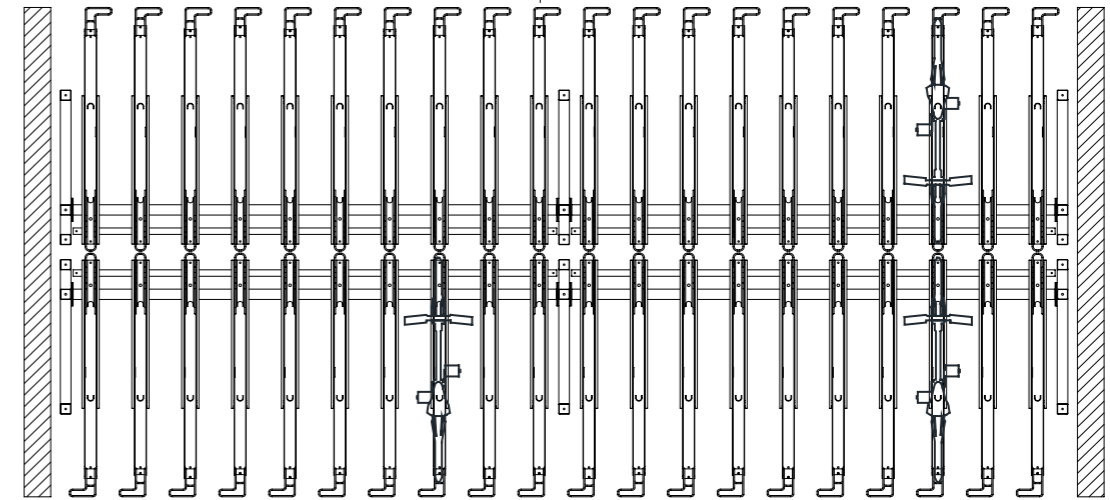
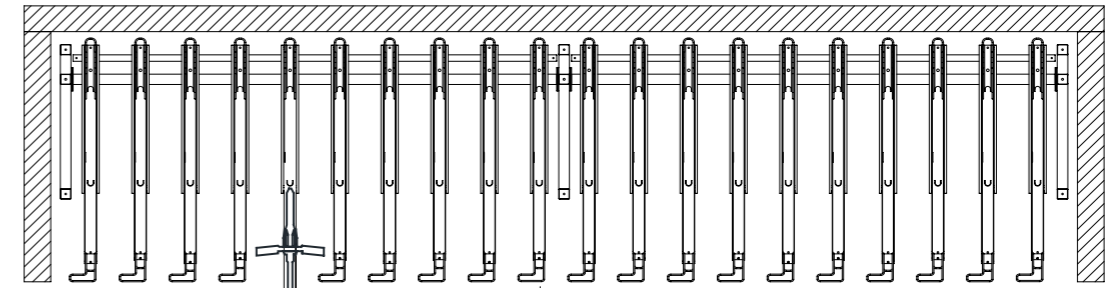


TOP



FRONT

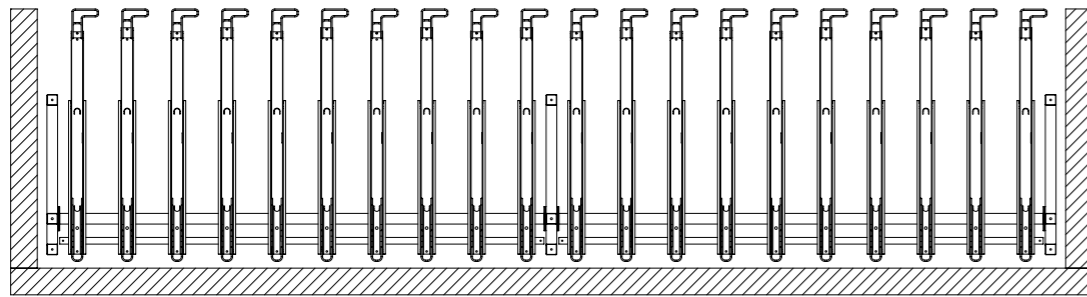
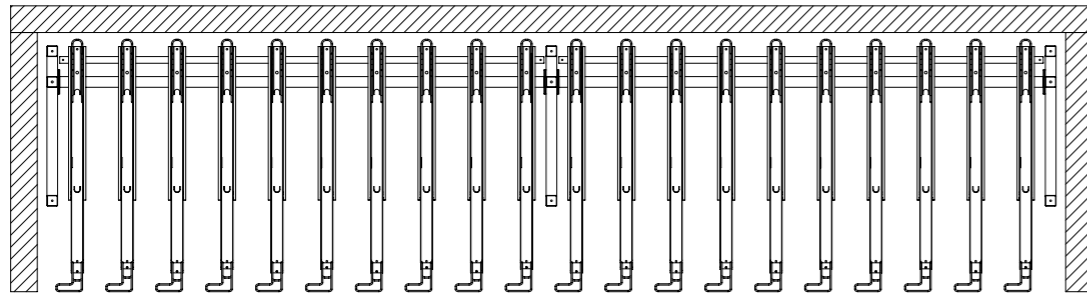
## LAYOUT 1



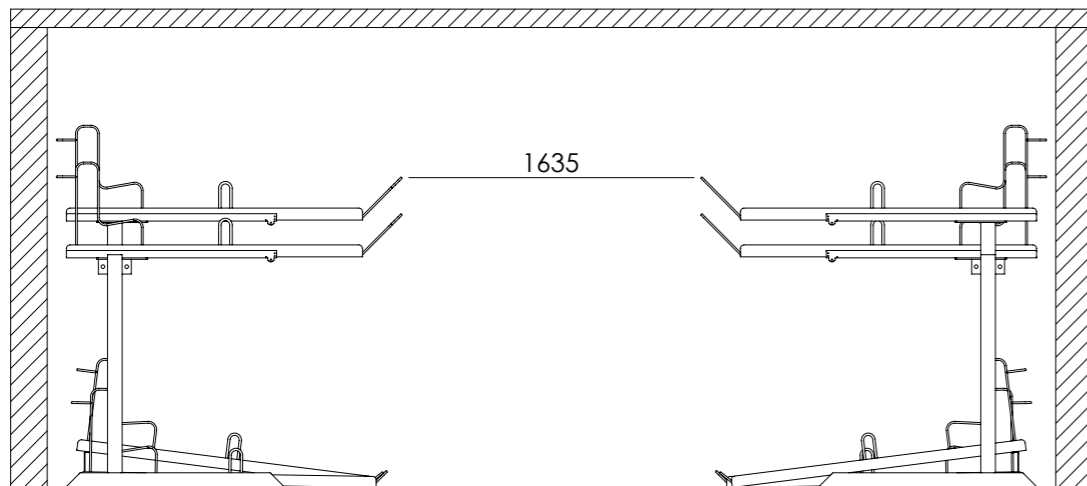
SIDE



## LAYOUT 2

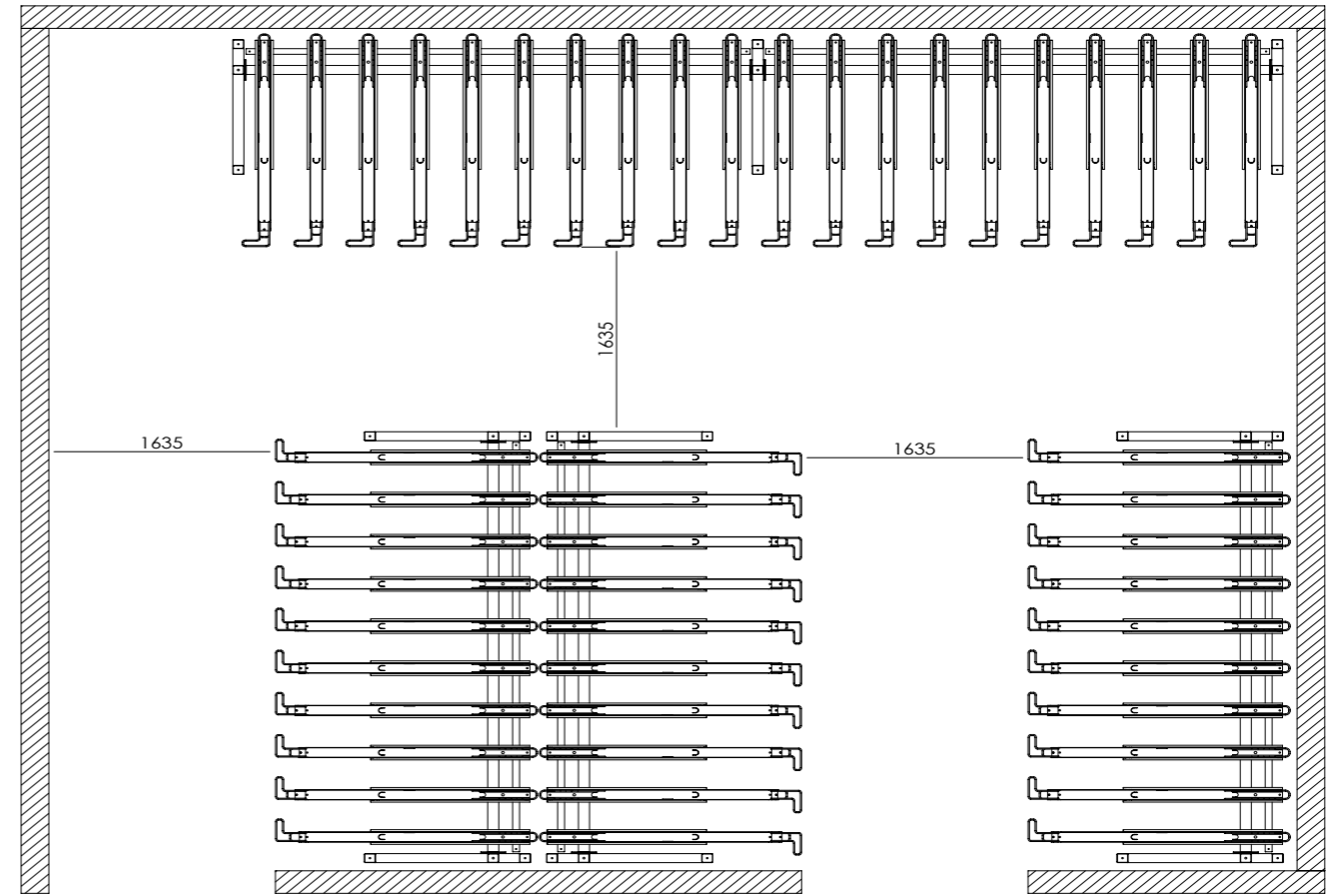


### TOP

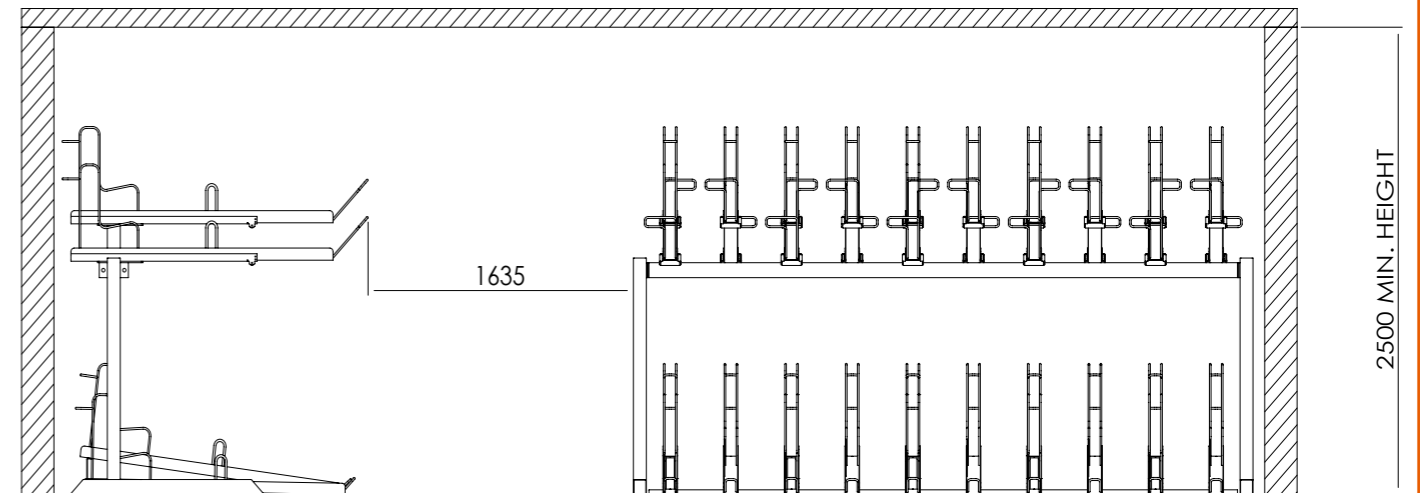


### SIDE

## LAYOUT 3



### TOP



### SIDE