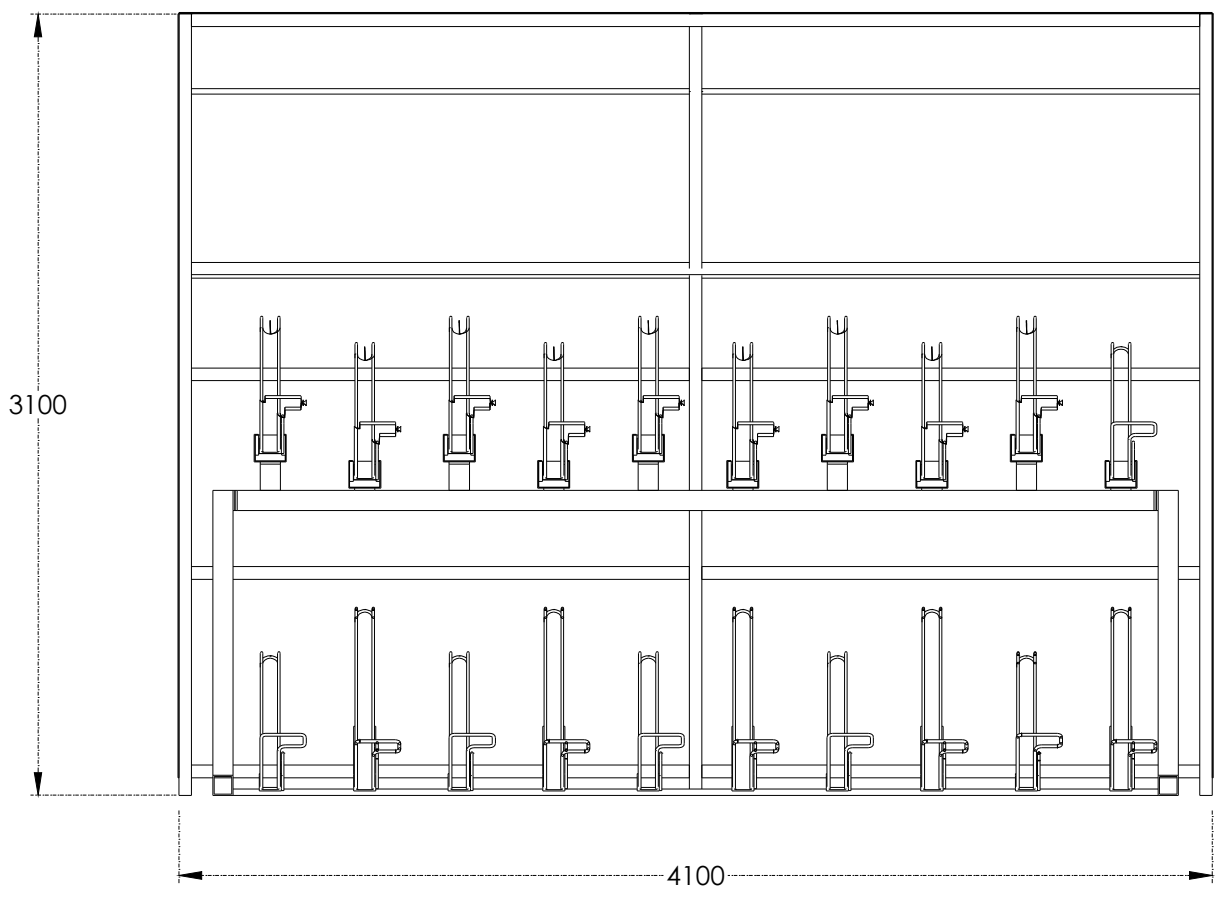
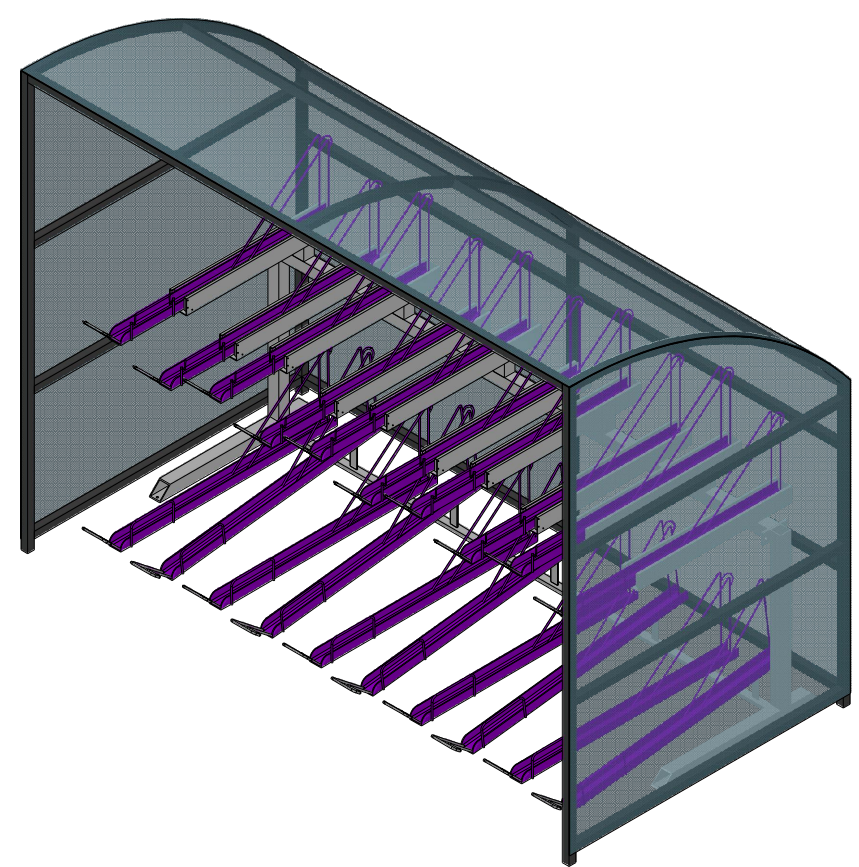
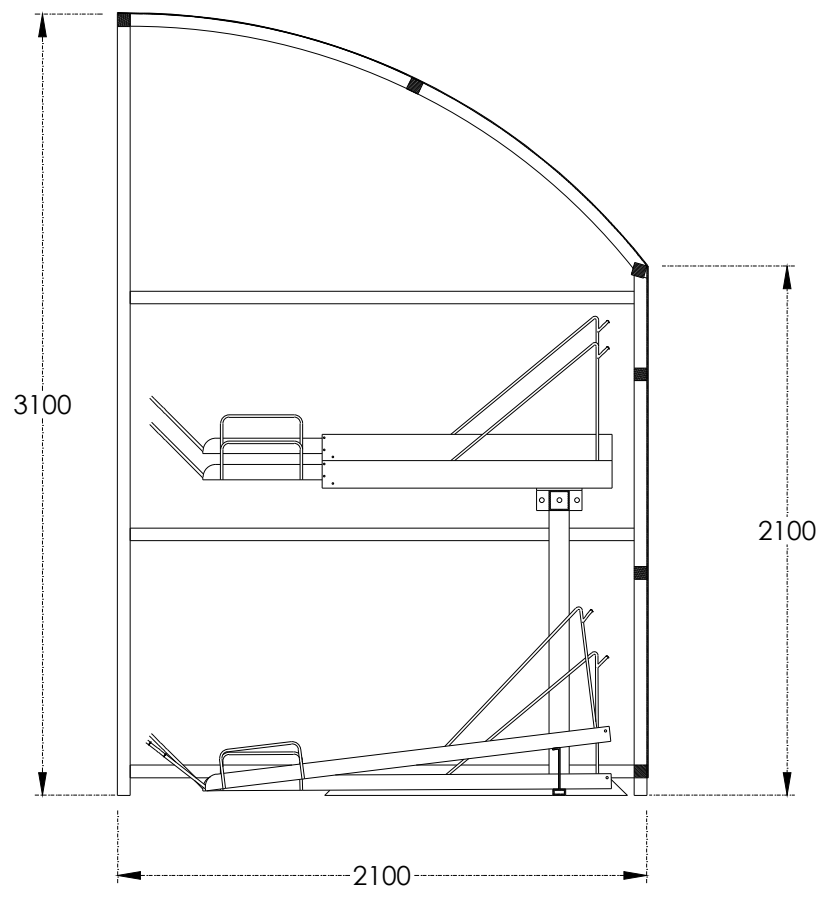


Plan
1:30 @ A3

Isometric
N/A @ A3



Front Elevation
1:30 @ A3



Side Elevation
1:30 @ A3

Legend:
TT Two Tier Cycle Rack

Notes:
Finishes:
Revision Notes:

Total: 20no



Client: ---	Project: ---
Venue: ---	Title: 20 Space Oxford Two Tier Shelter
Date Drawn: 12/06/2019	
Draftsperson: S.AGYEMAN	Scale: 1:30 @ ISO A3
Third Angle Projection	DWG No: 1.0
	Revision: