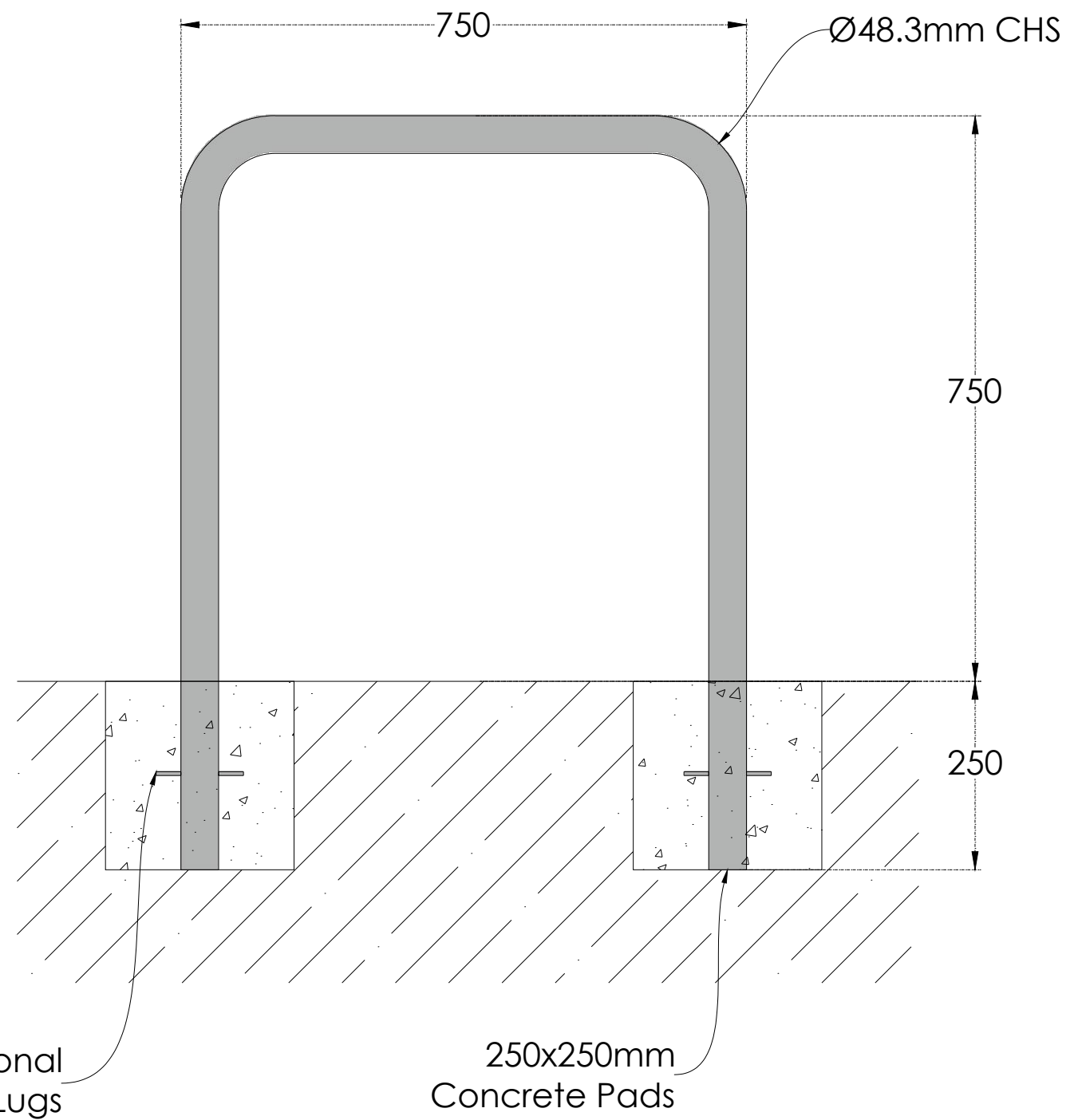
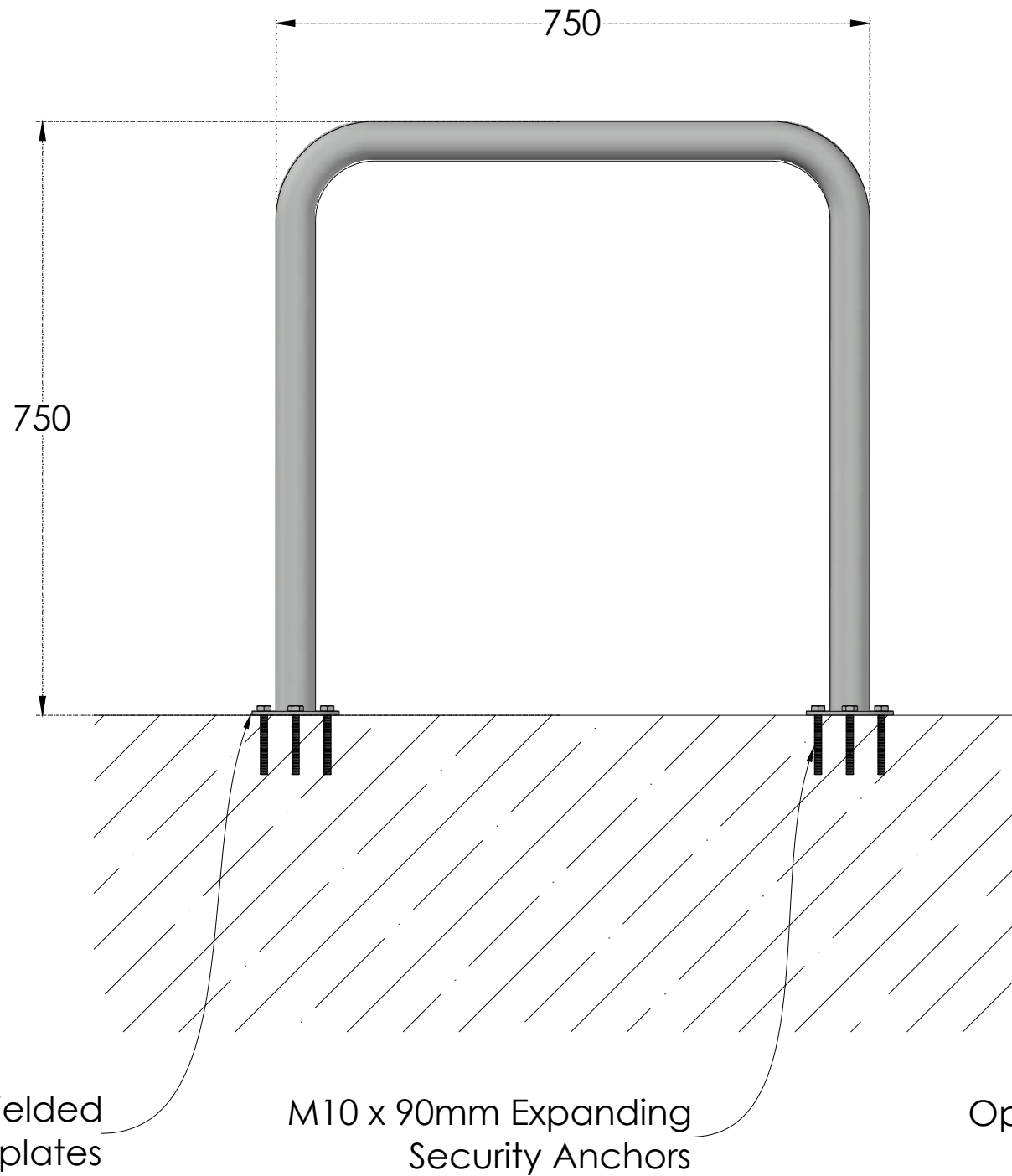


○ Surface Mounted
Fixing Detail

○ Root Fixed
Fixing Detail



Ø110mm Welded Baseplates

M10 x 90mm Expanding Security Anchors

Optional Lugs

250x250mm Concrete Pads

Legend:

Notes:
THIS DRAWING IS CONFIDENTIAL AND IS THE PROPERTY OF THE BIKE STORAGE COMPANY IT MUST NOT BE COPIED OR DISCLOSED TO A THIRD PARTY WITHOUT PERMISSION.
THE FOUNDRY BUILDING, 2 SMITHS SQUARE, 77 FULHAM PALACE RD, LONDON, W6 8AF

THE BIKE STORAGE COMPANY
0800 246 1723

Project: Standard Products	Title: Sheffield Stand Fixing Details
Date Drawn: 13/02/2020	
Draftsperson: M.Stokes	Scale: 1:8 @ ISO A3
Third Angle Projection	DWG No: 1.0
	Revision: 00