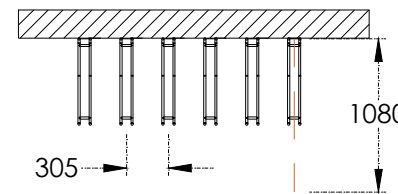
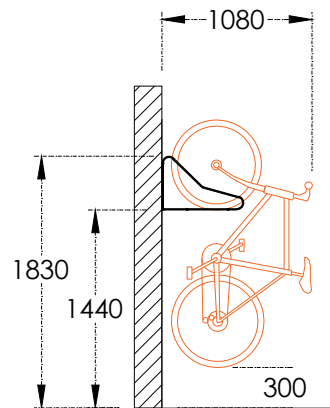
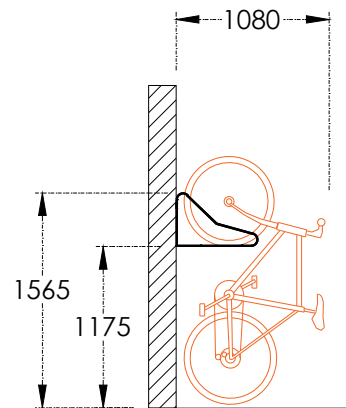
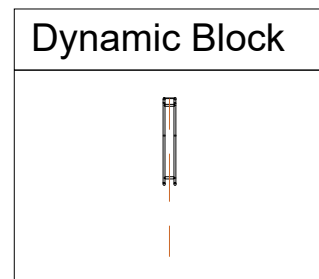


The Bike Storage Company

Vertical Bike Rack

Tel: 0800 246 1723



Clear access space in front of wall: 1080mm
 Min. spacing between racks: 305mm
 (Bespoke centres available)
 Minimum ceiling height: 2100mm

Legend:

ALL DIMENSIONS ARE IN MM UNLESS OTHERWISE STATED. IF IN DOUBT PLEASE ASK.
 THIS DRAWING IS CONFIDENTIAL AND IS THE PROPERTY OF THE BIKE STORAGE COMPANY. IT MUST NOT BE COPIED OR DISCLOSED TO A THIRD PARTY WITHOUT PERMISSION.
 THE BIKE STORAGE COMPANY, MARINA STUDIOS, HARBOUR YARD, LONDON, SW10 0XD



THE BIKE STORAGE COMPANY
 0800 246 1723

Client: The Bike Storage Company
 Status: Approval
 Date Drawn: 04/05/2023
 Draftsperson: W Martin
 Third Angle Projection

Project: Vertical Bike Rack
 Title: TBSC_VBR_CAD_00
 Scale: 1:50 @ ISO A3
 DWG No: 1.0
 Revision: 00