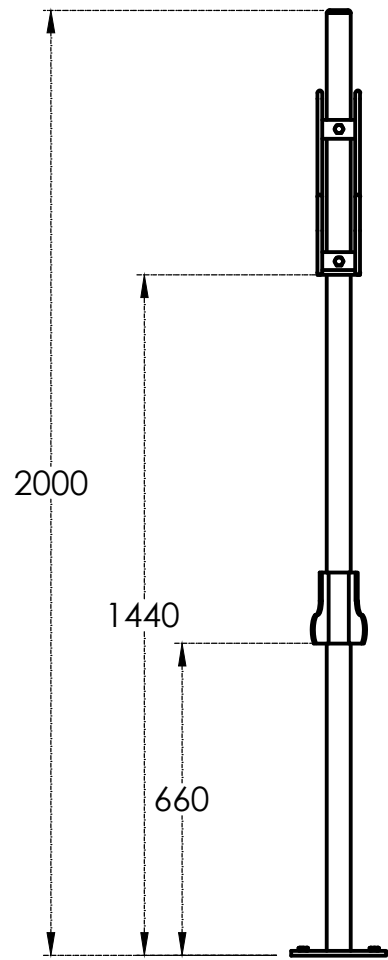
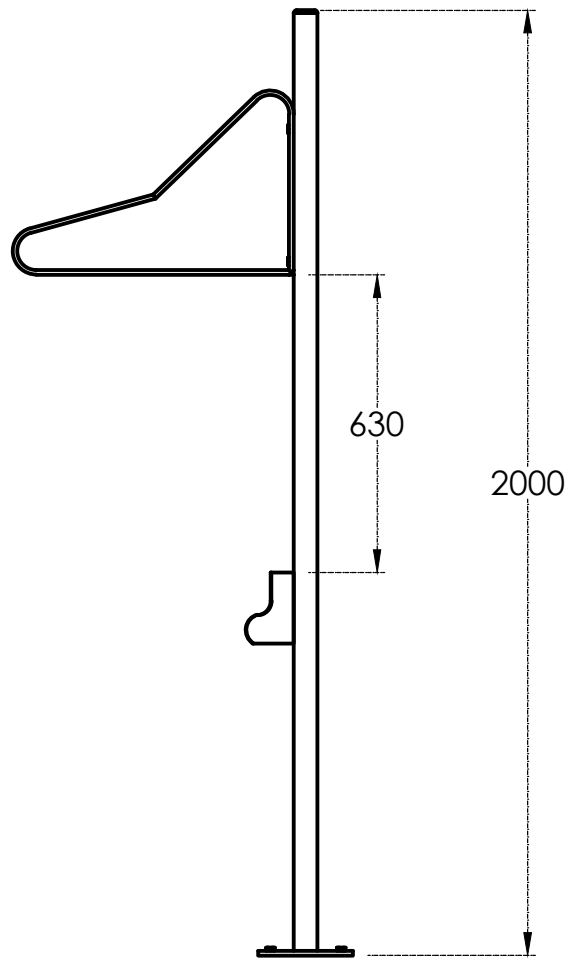


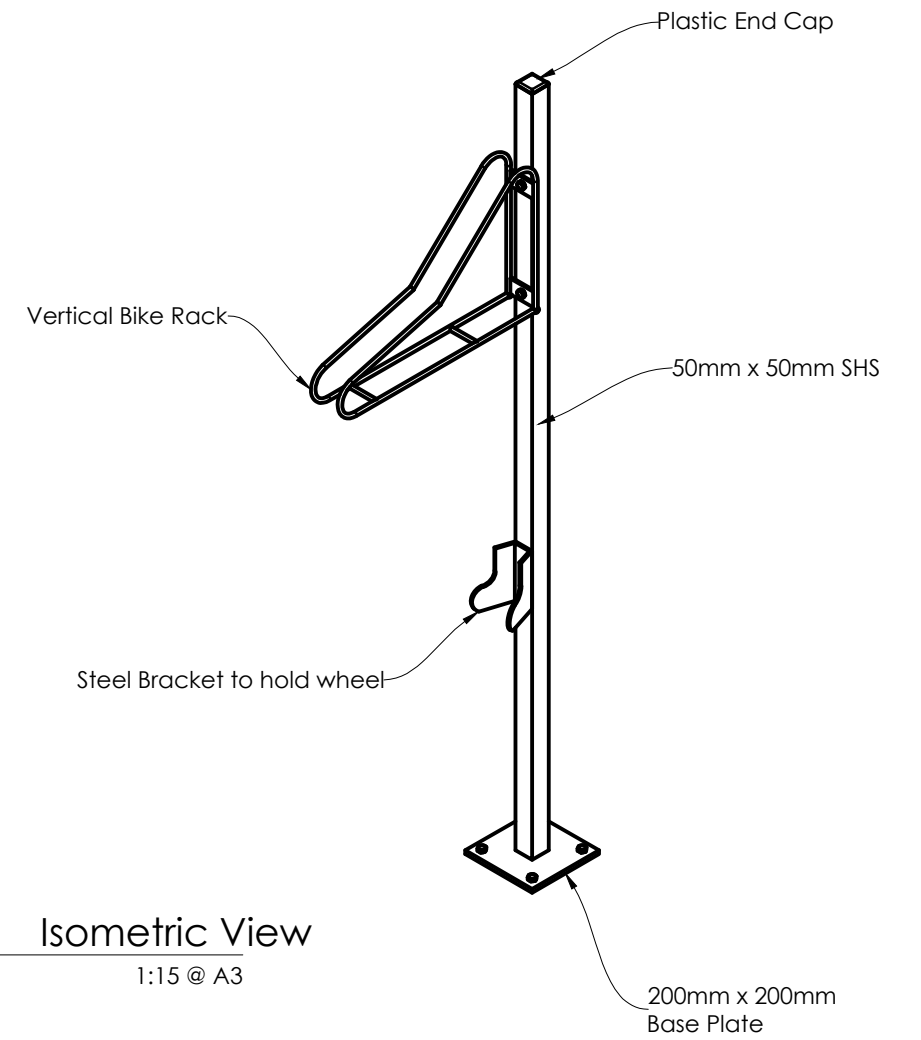
Plan
1:15 @ A3



Front Elevation
1:15 @ A3



Side Elevation
1:15 @ A3



Isometric View
1:15 @ A3

Notes:
Finishes:
Revision Notes:



Client: ---
Venue: ---
Date Drawn: 03/04/2019
Draftsperson: ---
Third Angle Projection

Project: ---
Title: Solo Vertical Cycle Rack
Scale: Scale @ ISO A3
DWG No: Scale
Revision: Scale