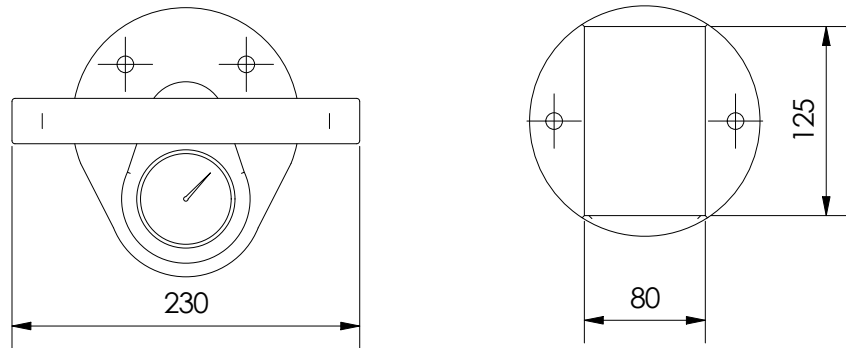
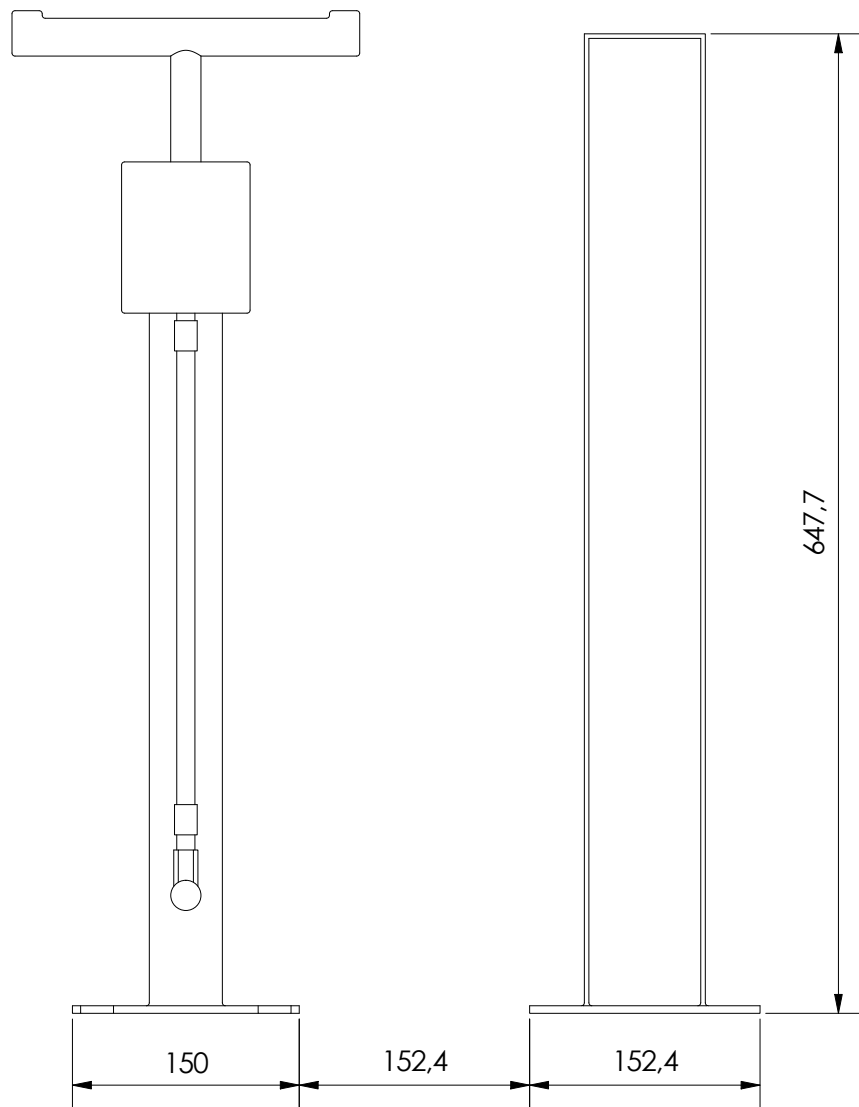


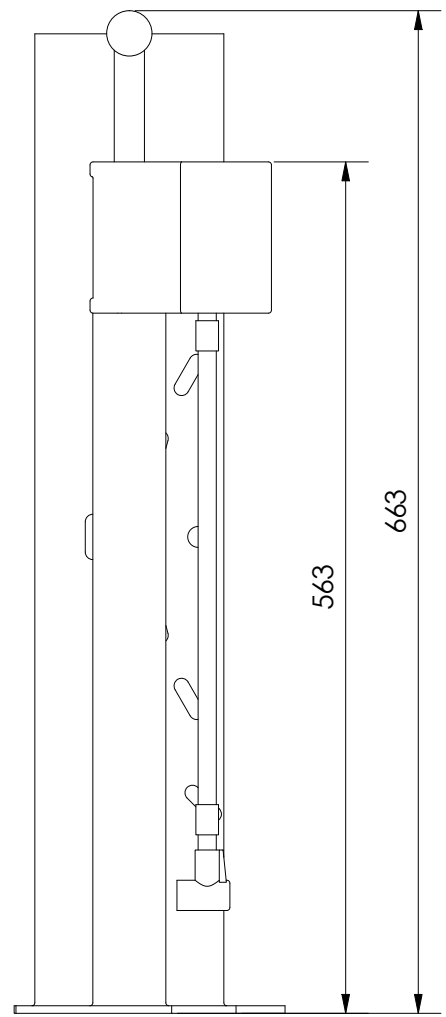
Plan Elevation



Front Elevation



Side Elevation



Available with custom branding & PPC finish in agreed RAL colour

Pressure gauge with clear polycarbonate cover/face

Braided steel core hose available in two standard lengths - 457mm & 889mm

Pump head suitable for Presta & Schader valves

Fixed into surface using M10 ground anchors

Made from TIG welded, thick-walled DOM tubing & laser cut sheet metal

Fixed bicycle pump

Wheel Chock

THIS DRAWING IS CONFIDENTIAL AND IS THE PROPERTY OF THE BIKE STORAGE COMPANY
IT MUST NOT BE COPIED OR DISCLOSED TO A THIRD PARTY WITHOUT PERMISSION.
THE BIKE STORAGE COMPANY, MARINA STUDIOS, HARBOUR YARD, LONDON, SW10 0XD
HELLO@THEBIKESTORAGECOMPANY.CO.UK

THIRD ANGLE PROJECTION

THE BIKE STORAGE COMPANY
0800 246 1723

| | | | | |
|---|---------------------------|--|--------------------|-----------------------|
| CUSTOMER The Bike Storage Company | | TITLE TBSC_Public_Bike_Pump_With_Chock_MS_00 | | SCALE 1:5 |
| DRAWN M Stokes | DATE 13/07/2020 | PROJECT Standard Products | ISSUE 00 | SHEET 1 / 1 |