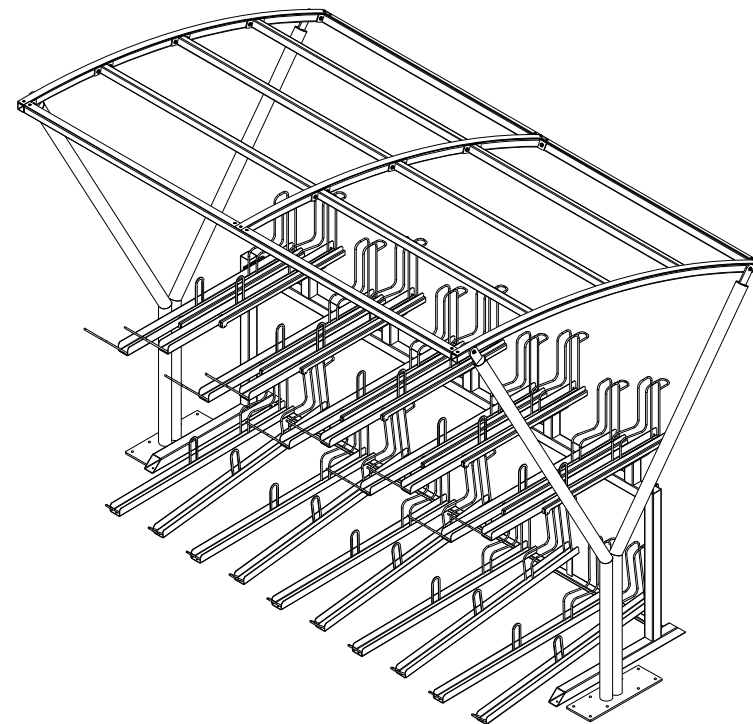
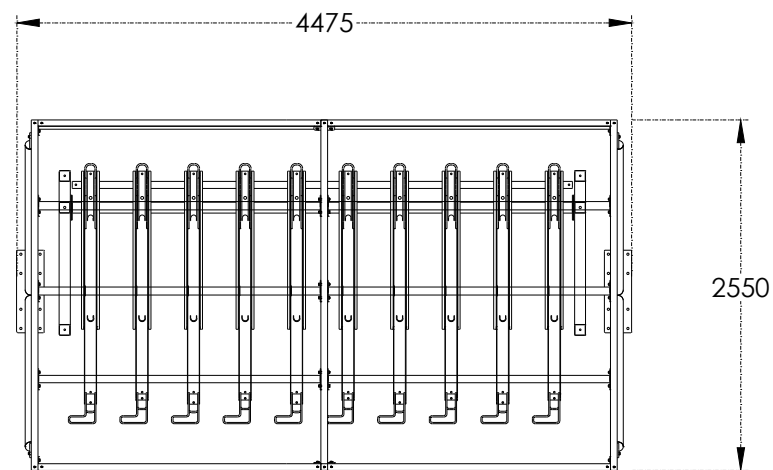


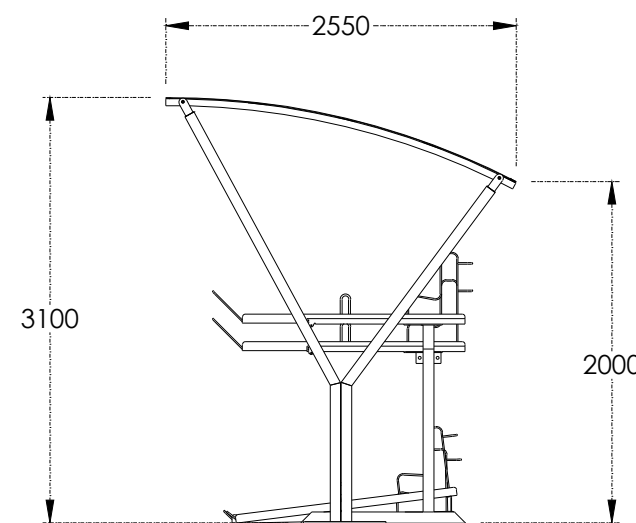
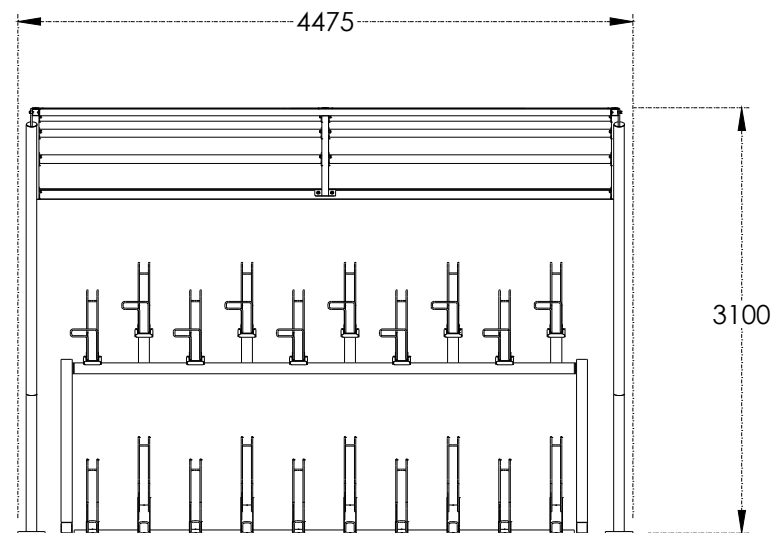
# The Bike Storage Company

## 20 Space Premium Chelsea Cycle Shelter

Tel: 0800 246 1723



- Standard dimensions: 4475mm x 3100mm x 2100mm
- Framework galvanised or PPC to various RAL options
- Heavy duty 76.2mm CHS supports
- Upgrades include guttering and PIR or solar lighting
- Modular design, can be extended or amended to suit almost any size
- Underground or overground fix



Legend:

ALL DIMENSIONS ARE IN MM UNLESS OTHERWISE STATED. IF IN DOUBT PLEASE ASK.  
THIS DRAWING IS CONFIDENTIAL AND IS THE PROPERTY OF THE BIKE STORAGE COMPANY. IT MUST NOT BE COPIED OR DISCLOSED TO A THIRD PARTY WITHOUT PERMISSION.  
THE BIKE STORAGE COMPANY, MARINA STUDIOS, HARBOUR YARD, LONDON, SW10 0XD



THE  
**BIKE STORAGE**  
COMPANY  
0800 246 1723

Client: The Bike Storage Company

Status: Approval

Date Drawn: 29/08/2023

Draftsperson: W Martin



Third Angle Projection

Project: 20 Space Premium Chelsea Cycle Store Drawing

Title: TBSC\_20Sp\_PremChel\_TTR\_DR\_00-1

Scale: 1:45 @ ISO A3

DWG No: 1.0

Revision: 00