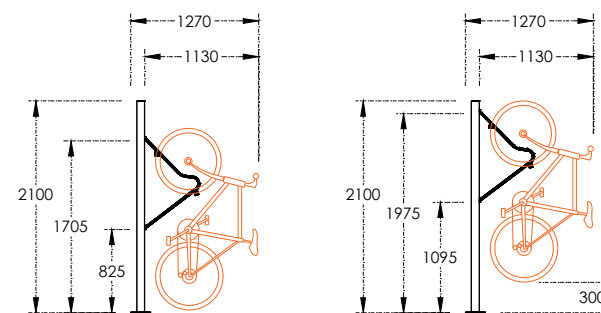
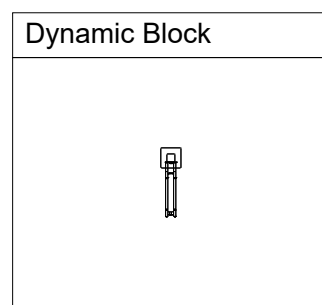
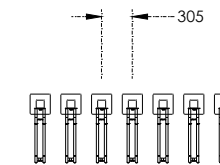


The Bike Storage Company Premium Solo Vertical Bike Rack

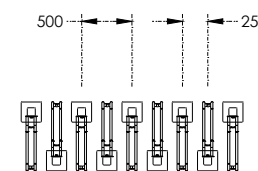
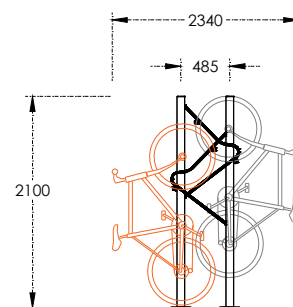
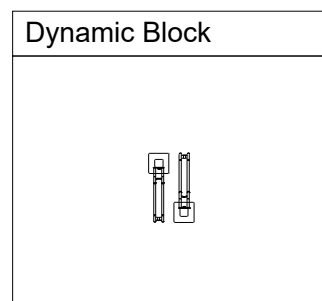
Tel: 0800 246 1723



Clear access space in front of rack: 1130mm
Spacing between racks: 305mm (Bespoke centres available)
Minimum ceiling height: 2100mm



Back-to-Back Premium Solo Vertical Bike Rack



Spacing between racks: 500mm
Spacing between opposite racks: 250mm
(Bespoke centres available)

Legend:

ALL DIMENSIONS ARE IN MM UNLESS OTHERWISE STATED. IF IN DOUBT PLEASE ASK.
THIS DRAWING IS CONFIDENTIAL AND IS THE PROPERTY OF THE BIKE STORAGE COMPANY. IT MUST NOT BE COPIED OR DISCLOSED TO A THIRD PARTY WITHOUT PERMISSION.
THE BIKE STORAGE COMPANY, MARINA STUDIOS, HARBOUR YARD, LONDON, SW10 0XD



THE BIKE STORAGE COMPANY
0800 246 1723

Client: The Bike Storage Company
Status: Approval
Date Drawn: 04/05/2023
Draftsperson: W Martin
Third Angle Projection

Project: Premium Solo Vertical Bike Rack
Title: TBSC_PremSVBR_CAD_00
Scale: 1:75 @ ISO A3

DWG No: 1.0

Revision: 00