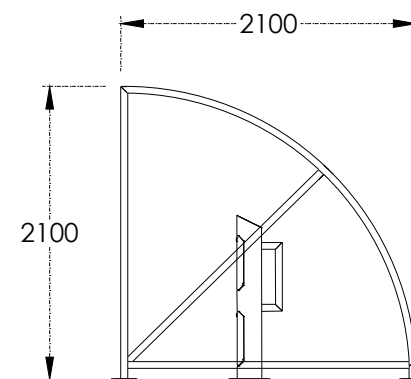
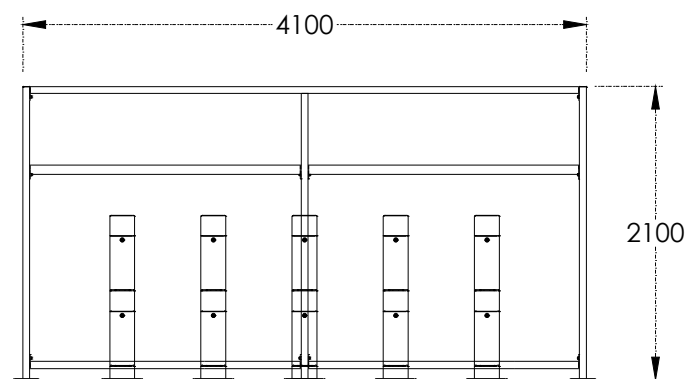
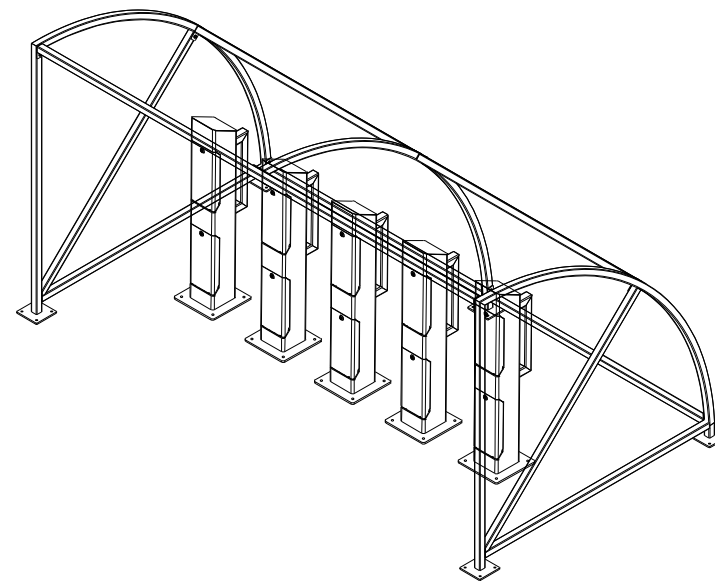
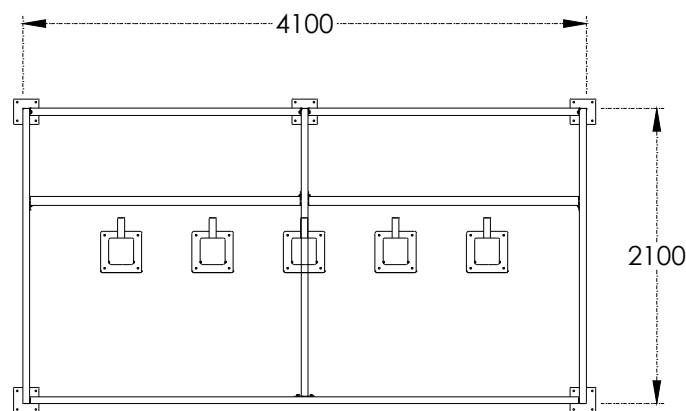


The Bike Storage Company E-Bike Cycle Shelter

Tel: 0800 246 1723



- Standard dimensions: 4100mm x 2100mm x 2100mm
- Available in galvanised steel with the option for polyester powdercoating to a RAL colour
- Rear clad in 3mm polycarbonate with option for sides
- 5No. E-Bike charging stand
- Two IP66 weatherproof sockets per stand
- Open fronted as standard with optional swing or sliding gates available
- Modular design, can be extended or amended to suit almost any size
- Underground or overground fix

Legend:

ALL DIMENSIONS ARE IN MM UNLESS OTHERWISE STATED. IF IN DOUBT PLEASE ASK.

THIS DRAWING IS CONFIDENTIAL AND IS THE PROPERTY OF THE BIKE STORAGE COMPANY. IT MUST NOT BE COPIED OR DISCLOSED TO A THIRD PARTY WITHOUT PERMISSION.

THE BIKE STORAGE COMPANY, MARINA STUDIOS, HARBOUR YARD, LONDON, SW10 0XD



THE
BIKE STORAGE
COMPANY
0800 246 1723

Client: The Bike Storage Company

Status: Approval

Date Drawn: 31/07/2023

Draftsperson: W Martin



Third Angle Projection

Project: E-Bike Cycle Shelter

Title: TBSC_E-BikeShelter_DR_00-1

Scale: 1:55 @ ISO A3

DWG No: 1.0

Revision: 00