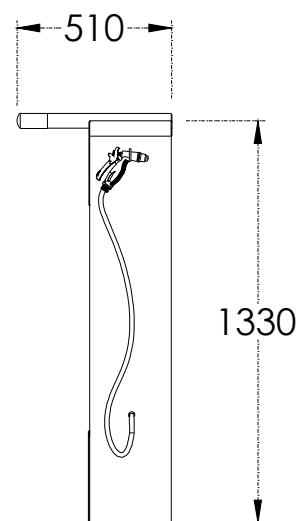
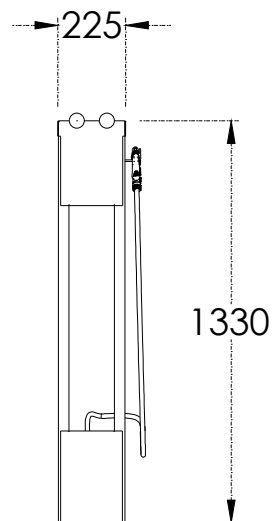
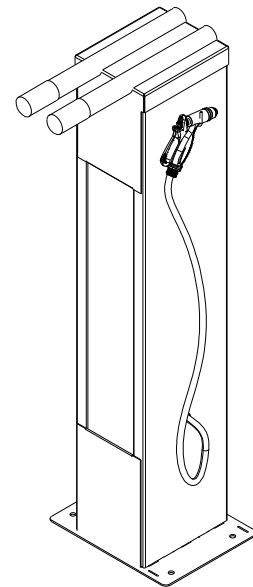
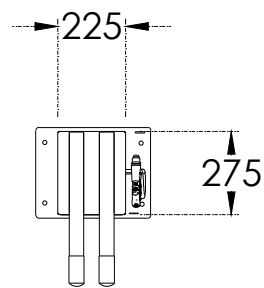


The Bike Storage Company

Bike Wash Station

Tel: 0800 246 1723



- Standard dimensions: 275mm x 225mm x 1330mm
- Mild steel body as standard
- Variety of powder coating options
- Intergrated jet washer
- Robust design to resist vandalism and wear
- Selection of specifically designed brushes
- Variety of colour finishes and branding options
- Surface-mounted/overground fix

Legend:

ALL DIMENSIONS ARE IN MM UNLESS OTHERWISE STATED. IF IN DOUBT PLEASE ASK.
THIS DRAWING IS CONFIDENTIAL AND IS THE PROPERTY OF THE BIKE STORAGE COMPANY. IT MUST NOT BE COPIED OR DISCLOSED TO A THIRD PARTY WITHOUT PERMISSION.
THE BIKE STORAGE COMPANY, MARINA STUDIOS, HARBOUR YARD, LONDON, SW10 0XD



THE
BIKE STORAGE
COMPANY
0800 246 1723

Client: The Bike Storage Company

Status: Approval

Date Drawn: 06/10/2023

Draftsperson: W Martin



Third Angle Projection

Project: Bike Wash Station

Title: TBSC_WashStation_DR_00-1

Scale: 1:25 @ ISO A3

DWG No: 1.0

Revision: 00