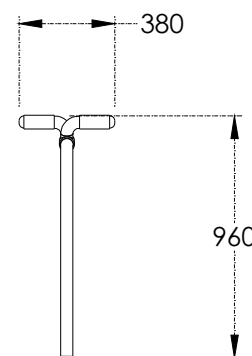
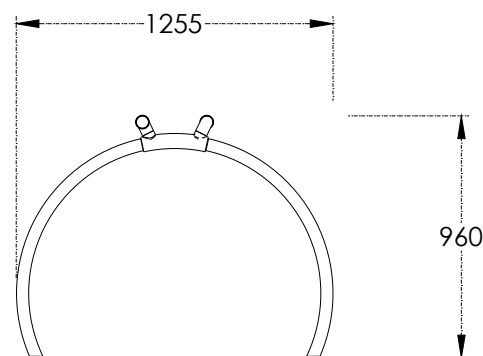
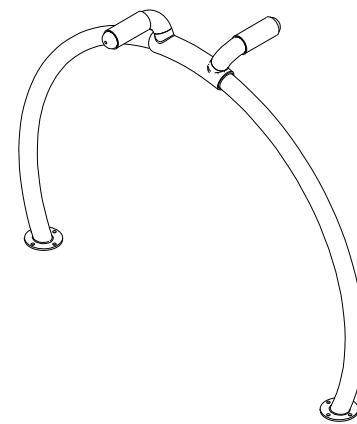
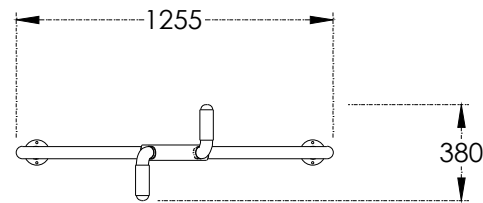


The Bike Storage Company

Equilibrium Cycle Stand

Tel: 0800 246 1723




- Standard dimensions: 1255mm x 960mm x 380mm
- 50 CHS diameter
- Galvanised steel or PPC to various RAL options
- User friendly design
- 750mm Centres between stands for optimal accessibility

Legend:

ALL DIMENSIONS ARE IN MM UNLESS OTHERWISE STATED. IF IN DOUBT PLEASE ASK.
 THIS DRAWING IS CONFIDENTIAL AND IS THE PROPERTY OF THE BIKE STORAGE COMPANY. IT MUST NOT BE COPIED OR DISCLOSED TO A THIRD PARTY WITHOUT PERMISSION.
 THE BIKE STORAGE COMPANY, MARINA STUDIOS, HARBOUR YARD, LONDON, SW10 0XD



THE
BIKE STORAGE
 COMPANY
 0800 246 1723

Client: The Bike Storage Company
 Status: Approval
 Date Drawn: 08/09/2023
 Draftsperson: W Martin
 Third Angle Projection

Project: Equilibrium Cycle Stand
 Title: TBSC_EquilibriumStand_DR_00-1
 Scale: 1:30 @ ISO A3
 DWG No: 1.0

Revision: 00