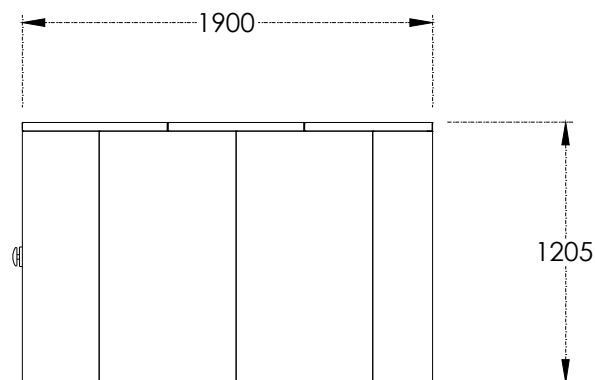
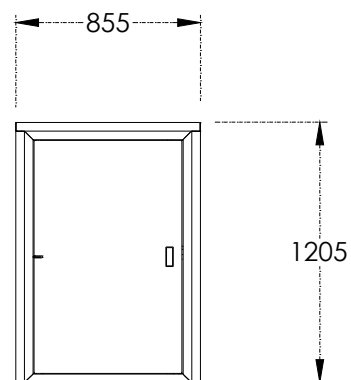
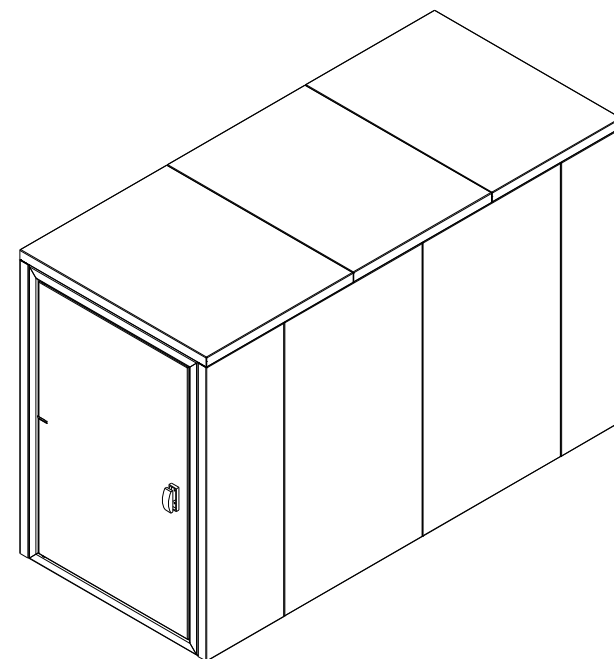
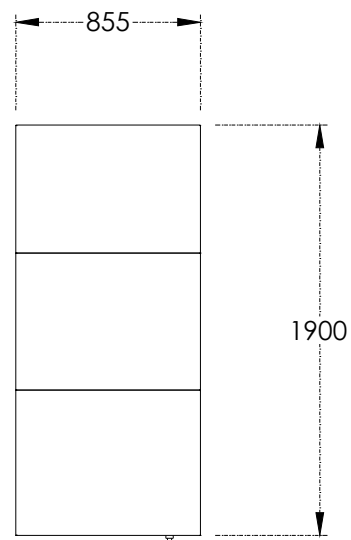


The Bike Storage Company

The Horizontal 2 Bike Locker

Tel: 0800 246 1723



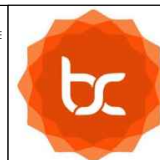
- Standard dimensions: 1900mm x 1205mm x 855mm
- Up to two bikes per unit
- Hot Dipped Galvanised to BS EN ISO 1461:2022
- Available in a range of RAL colours
- High security pick and drill resistant lock - 3 point locking
- Weather protection, hard wearing, scratch resistant powder coating

Legend:

ALL DIMENSIONS ARE IN MM UNLESS OTHERWISE STATED. IF IN DOUBT PLEASE ASK.

THIS DRAWING IS CONFIDENTIAL AND IS THE PROPERTY OF THE BIKE STORAGE COMPANY. IT MUST NOT BE COPIED OR DISCLOSED TO A THIRD PARTY WITHOUT PERMISSION.

THE BIKE STORAGE COMPANY, MARINA STUDIOS, HARBOUR YARD, LONDON, SW10 0XD



THE
BIKE STORAGE
COMPANY
0800 246 1723

Client: The Bike Storage Company

Status: Approval

Date Drawn: 15/09/2023

Draftsperson: W Martin



Third Angle Projection

Project: Horizontal 2 Bike Locker

Title: TBSC_Horiz2Locker_DR_00-1

Scale: 1:10 @ ISO A3

DWG No: 1.0

Revision: 00