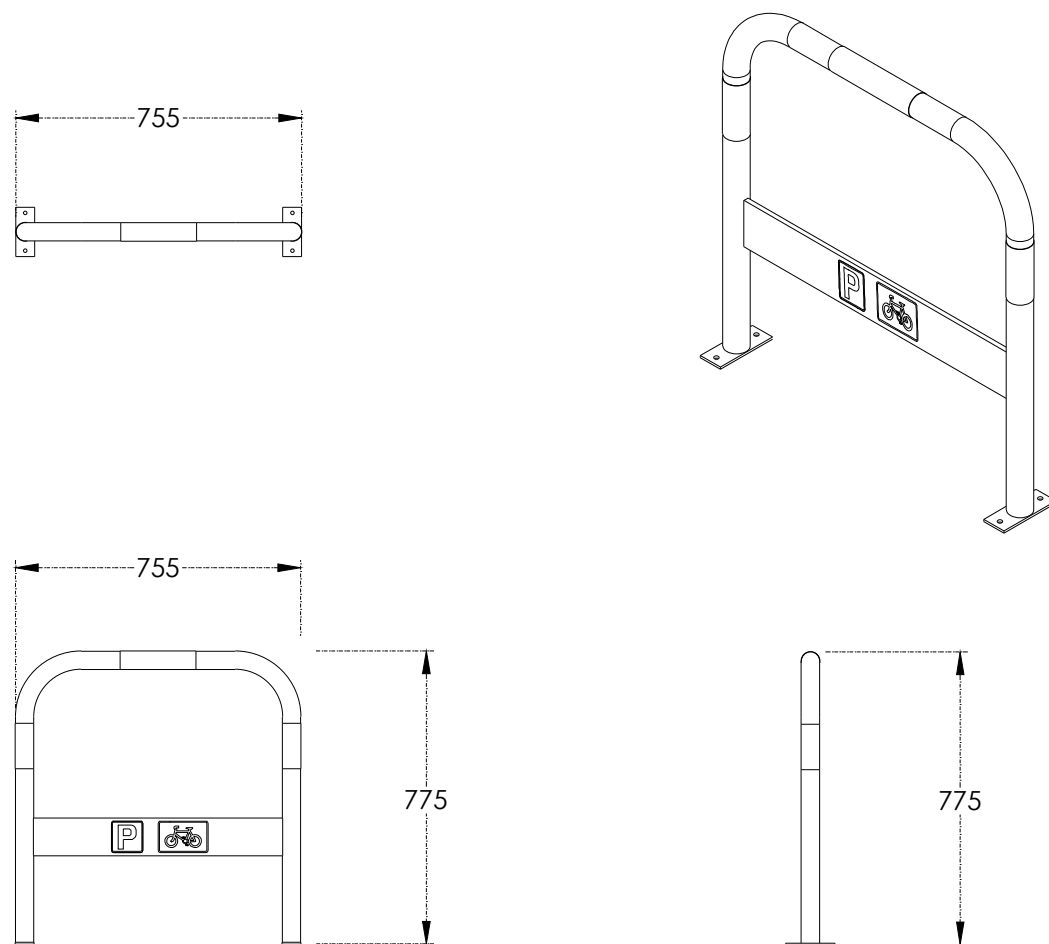


# The Bike Storage Company

## London Cycle Stand

Tel: 0800 246 1723



- Standard dimensions: 755mm x 775mm
- Two bike spaces per stand
- 48.3 x 2.5mm CHS Galvanised Steel structure
- Hot Dipped Galvanised to BS EN ISO 1461:2022
- Framework galvanised or PPC to various RAL colours as standard (black polyurethane finish option)
- Includes tapping bar and reflective tape

Legend:

ALL DIMENSIONS ARE IN MM UNLESS OTHERWISE STATED. IF IN DOUBT PLEASE ASK.

THIS DRAWING IS CONFIDENTIAL AND IS THE PROPERTY OF THE BIKE STORAGE COMPANY. IT MUST NOT BE COPIED OR DISCLOSED TO A THIRD PARTY WITHOUT PERMISSION.

THE BIKE STORAGE COMPANY, MARINA STUDIOS, HARBOUR YARD, LONDON, SW10 0XD



THE  
**BIKE STORAGE**  
COMPANY  
0800 246 1723

Client: The Bike Storage Copany

Status: Approval

Date Drawn: 25/09/2023

Draftsperson: W Martin



Third Angle Projection

Project: London Cycle Stand

Title: TBSC\_LondonStand\_DR\_00-1

Scale: 1:20 @ ISO A3

DWG No: 1.0

Revision: 00